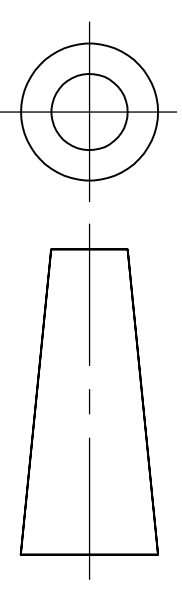


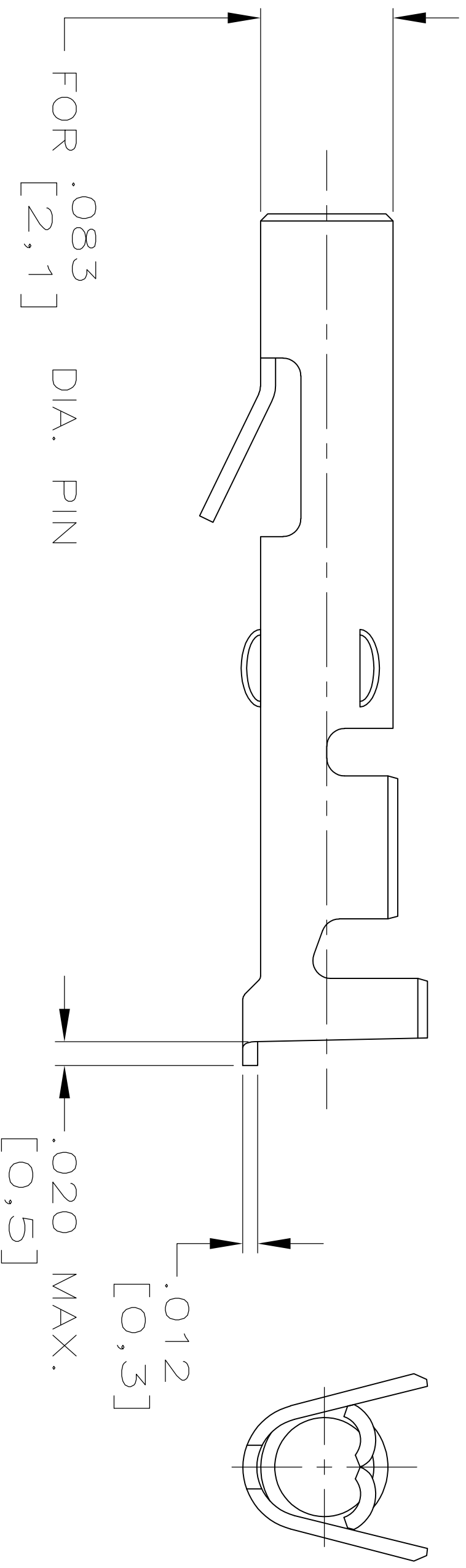
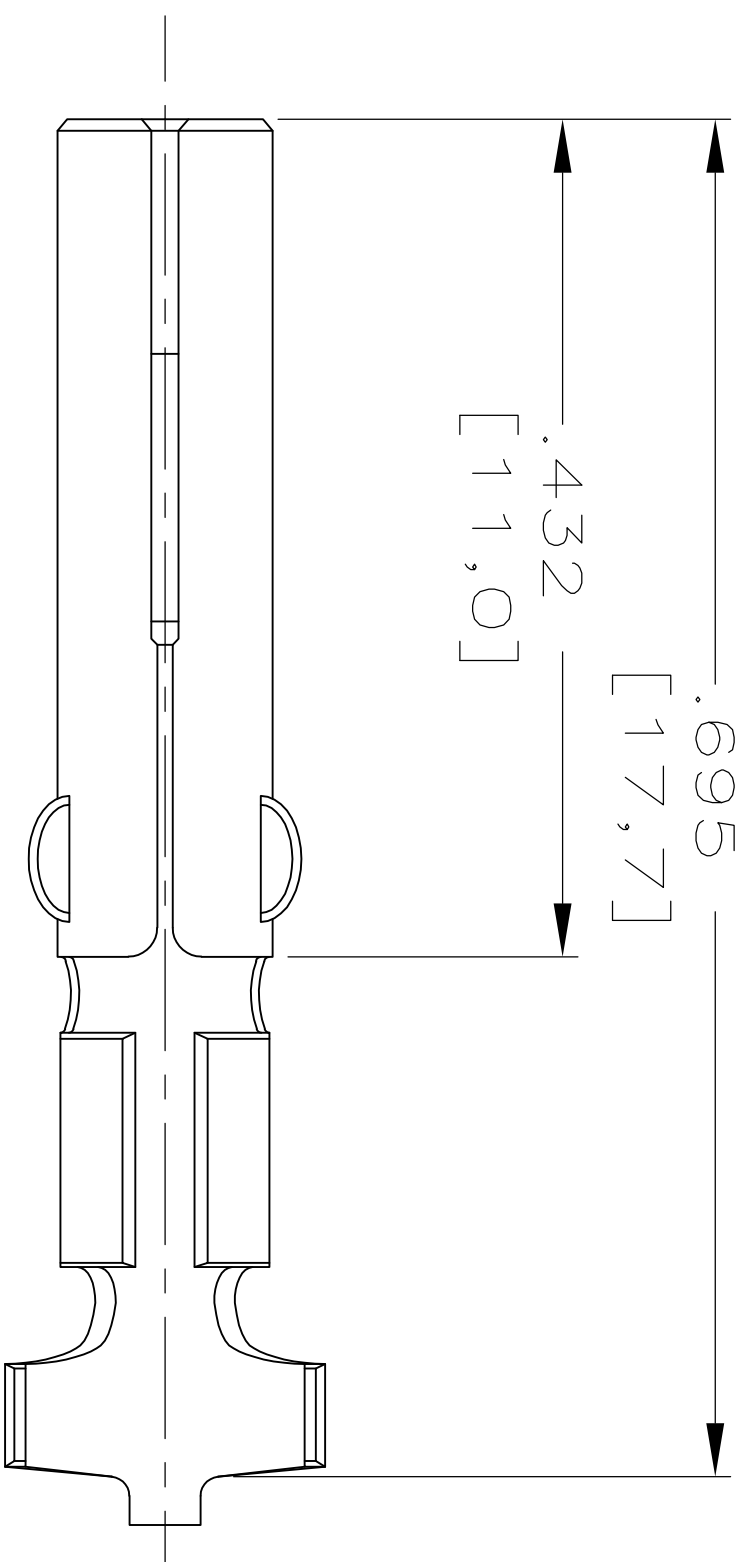
DO NOT SCALE

INCH

THIRD ANGLE  
PROJECTION



WIRE RANGE :  
0,5-1,0mm<sup>2</sup> AWG  
INSULATION RANGE :  
.070-.130 DIA.  
(1,8-3,3)

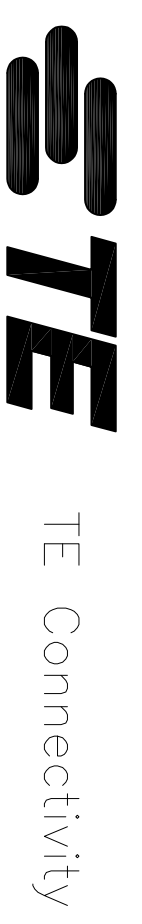


|         |           |            |
|---------|-----------|------------|
| PRE TIN | Ph BRONZE | 163304-4   |
| NONE    | Ph BRONZE | 163304-3   |
| PRE TIN | BRASS     | 163304-2   |
| NONE    | BRASS     | 163304-1   |
| FINISH  | MATERIAL  | PARTNUMBER |

CUSTOMER DRAWING

FOR REFERENCE ONLY  
WILL NOT BE UPDATED

THIS DRAWING IS UNPUBLISHED  
RELEASED FOR PUBLICATION 19



POCKET MATE-N-LOK  
LOOSE PIECE

|                              |                |         |
|------------------------------|----------------|---------|
| DR.: D.KESSLER               | CHK.: P.BEJNON | APP.: - |
| DATE: -                      | DATE: -        | DATE: - |
| LTR. REVISION RECORD         | DR. CHK.       | DATE    |
| D1 REVISED PER ECO-11-005294 | RK HMR         | 02APR11 |

|         |        |          |    |       |        |    |
|---------|--------|----------|----|-------|--------|----|
| DWG.No. | 163304 | REV.LTR. | D1 | SHEET | 1 OF 1 | A4 |
|---------|--------|----------|----|-------|--------|----|